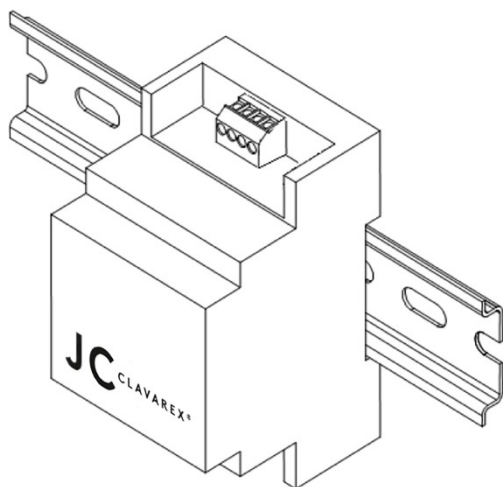


**JC** CLAVAREX®

# WALLREADER DOOR CONTROLLER

## Technical Description



**JC**  
CLAVAREX®

info@jc-clavarex.ch  
www.jc-clavarex.ch

## 1. General

The door opener's recording device monitors the pulse duration and switches a relay with interchangeable contacts.

## 2. Functional specification

After switching on the device a brief initialization takes place and the control LED lights up constantly yellow. Now two inputs are checked to see if there are any pulses. One input causes the relay to be tightened (on) and the other causes the relay to drop. Based on the puls duration the relay is switched.

### Status LED

LED-Status	description
Solid yellow	Ready to use
Flashing green	Inputsignal for ON
Solid green	Relay active
Flashing red	Inputsignal for OFF
Flashing red fast	Error: (input too short or too long)



Power

Signal / ON - OFF

## 3. Connection

### Power IN / OUT

Pin	Signal
1	12 – 24V DC ( + ) power in
2	0V ( - ) power in
1	12 – 24V DC ( + ) power out
2	0V ( - ) power out
3	12 – 24V DC ( + )
4	0V ( - )

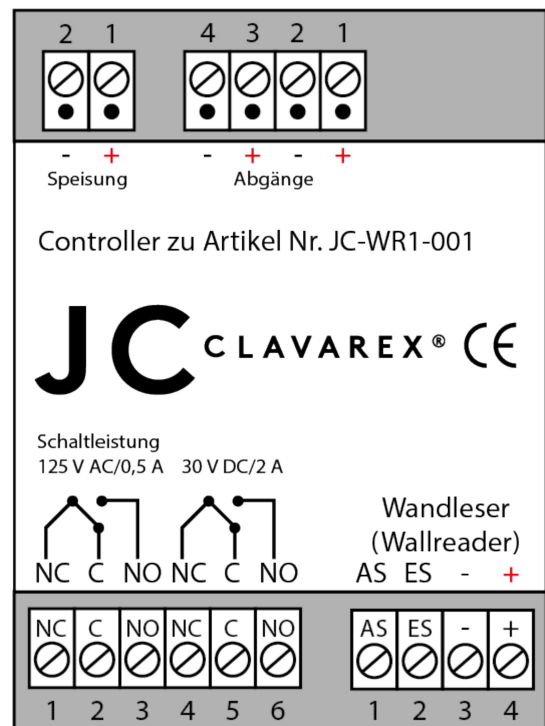
### Wallreader

Pin	Signal
4	6,5V DC for reader + Rot
3	0V DC for reader - Schwarz
2	Input ON (Schwarz)
1	Input OFF (Weiss)

### Relay contacts

Pin	Signal
6	Normally open - 2 (NO)
5	Closed common- 2 (C)
4	Normally close - 2 (NC)
3	Normally open - 1 (NO)
2	Closed common- 1 (C)
1	Normally close 1 (NC)

POWER IN max. 24 V DC/2A



Any questions, fell free to contact us:  
[support@jc-clavarex.ch](mailto:support@jc-clavarex.ch)